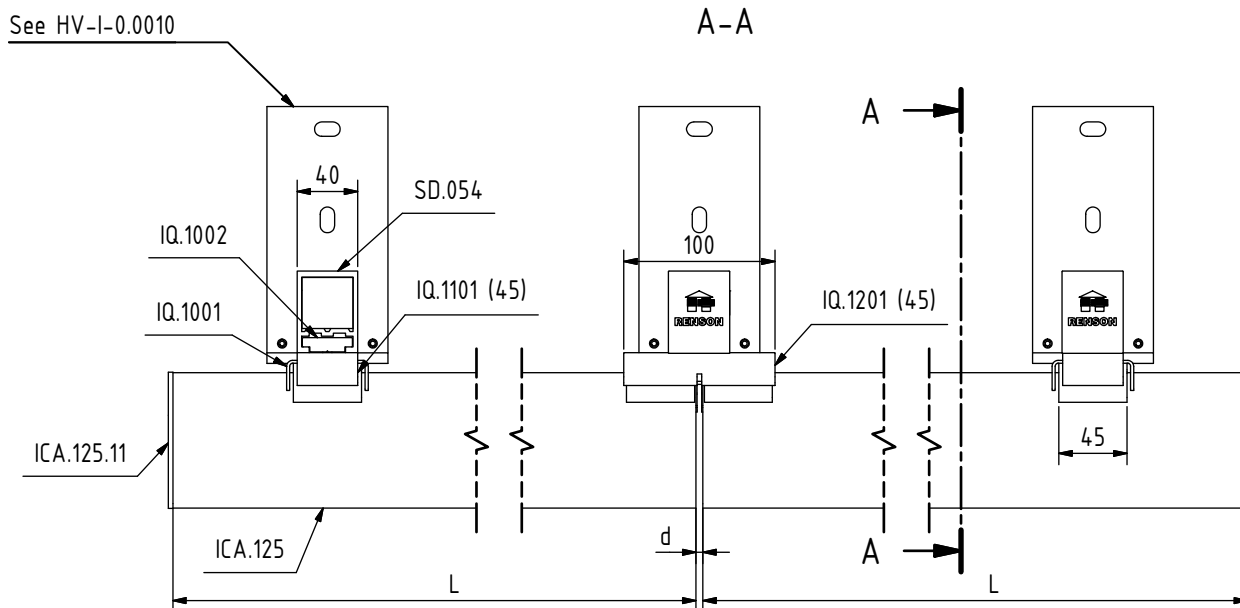
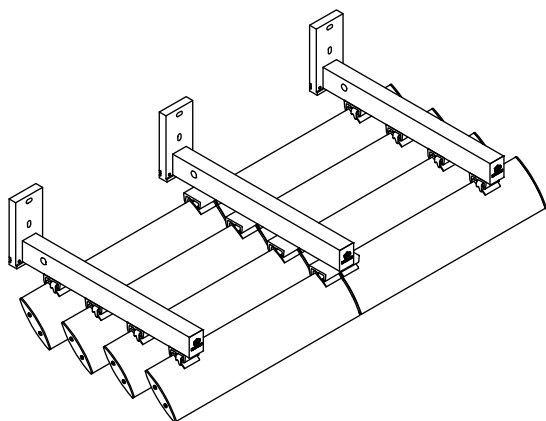


A-A



FRONT VIEW



Maximal dimensions to be discussed with R&D Dept. of NV Renson Projects.

KEY REFERENCE

- L: Length of blade [mm]
- d: Expansion joint [mm]
= 0,001 x L
- s: Step of blade [mm]
- a: Min. sun entrance angle [°]
- U: Projection [mm]
- y: ≥ 80 mm
- n: Number of blades
- P: Thickness wallbracket [mm]



NV Renson Projects
Maalbeekstraat 6
8790 Waregem
Belgium

Tel.: +32 (0)56 62 71 07
Fax: +32 (0)56 62 71 47
www.renson.eu

HORIZONTAL FIXED

TYPE: ICARUS

SUBTYPE: QUICKFIX

DESCRIPTION: ICA.125 (45°) + SD.054

PRODUCT SHEET

SHEET N°

HV-I-1.0120

ISSUE

V.02

Scale:
1/5

Orig. format:
A4