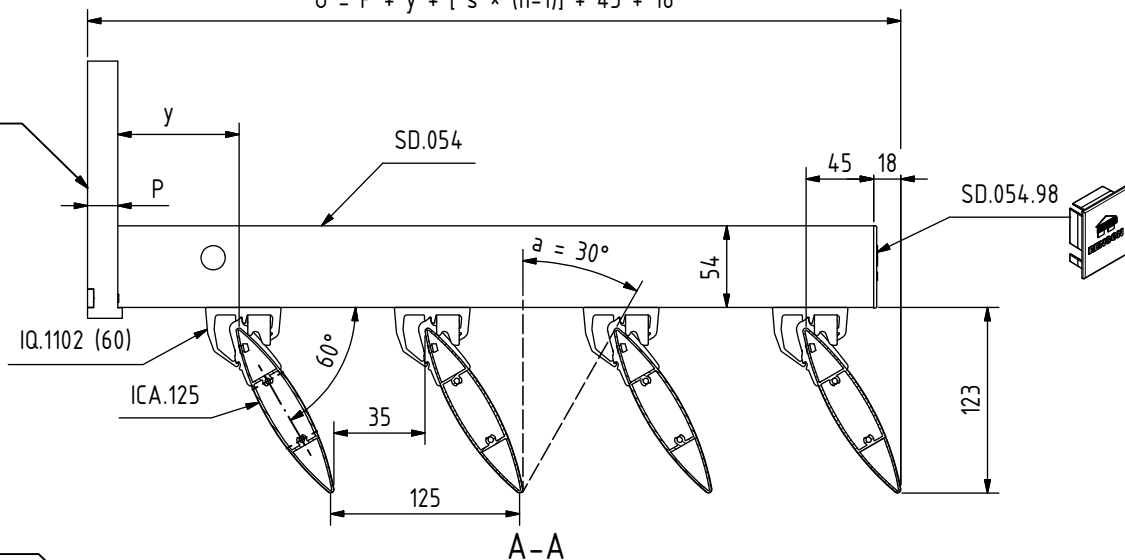
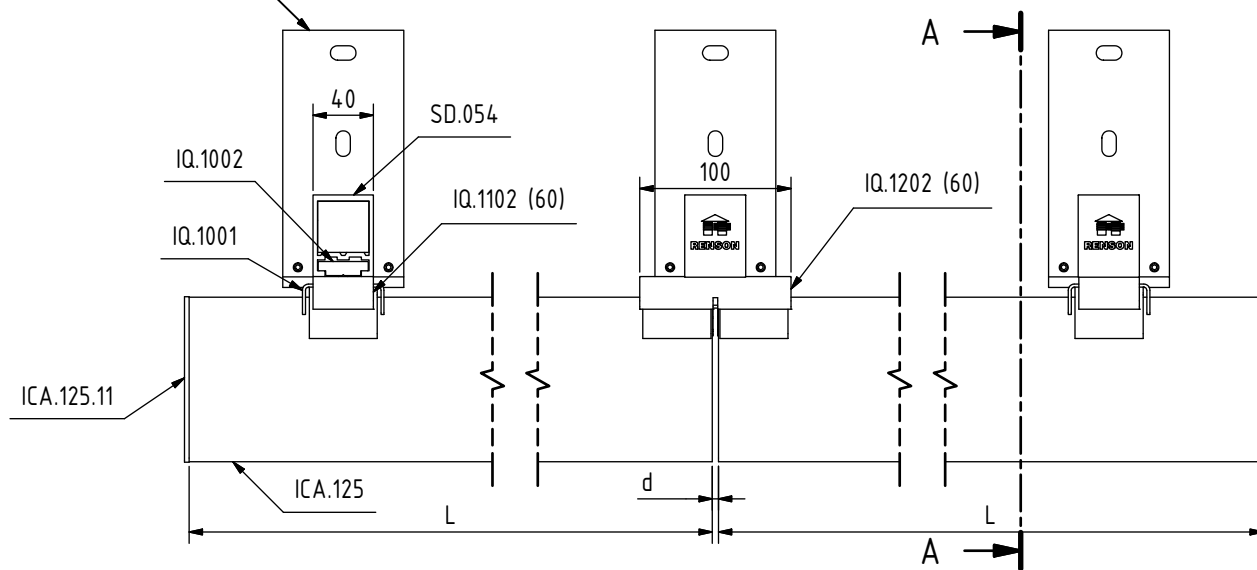


$$U = P + y + [s * (n-1)] + 45 + 18$$

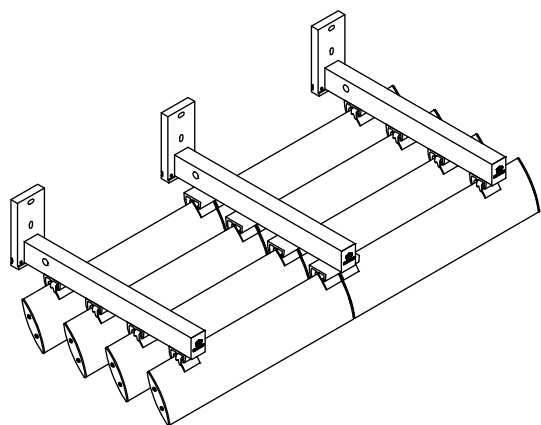
See HV-I-0.0010



See HV-I-0.0010



FRONT VIEW



**KEY REFERENCE**

- L: Length of blade [mm]
- d: Expansion joint [mm]  
= 0,001 x L
- s: Step of blade [mm]
- a: Min. sun entrance angle [°]
- U: Projection [mm]
- y: ≥ 80 mm
- n: Number of blades
- P: Thickness wallbracket [mm]

Maximal dimensions to be discussed with R&D Dept. of NV Renson Projects.



NV RENSON Projects  
Maalbeekstraat 6  
8790 Waregem  
Belgium  
Tel.: +32 (0)56 62 71 07  
Fax: +32 (0)56 62 71 47  
www.renson.eu

HORIZONTAL FIXED

TYPE: ICARUS                      SUBTYPE: QUICKFIX

DESCRIPTION: ICA.125 (60°) + SD.054

**PRODUCT SHEET**

SHEET N°

HV-I-1.0121

ISSUE

V.02

Scale:  
1/5

Orig. format:  
A4