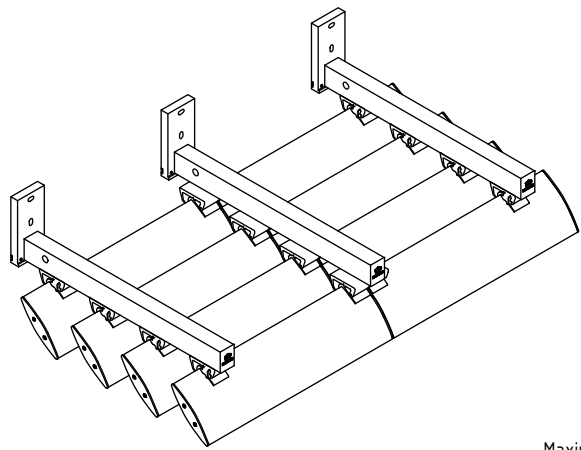


FRONT VIEW



Maximal dimensions to be discussed with R&D Dept. of NV Renson Projects.

KEY REFERENCE	
L:	Length of blade [mm]
d:	Expansion joint [mm] = 0,001 x L
s:	Step of blade [mm]
a:	Min. sun entrance angle [°]
U:	Projection [mm]
y:	≥ 80 mm
n:	Number of blades
P:	Thickness wallbracket [mm]

RENSON
Creating healthy spaces

NV Renson Projects
Maalbeekstraat 6
8790 Waregem
Belgium

Tel.: +32 (0)56 62 71 07
Fax: +32 (0)56 62 71 47
www.renson.eu

<u>HORIZONTAL FIXED</u>	
TYPE: ICARUS	SUBTYPE: QUICKFIX
DESCRIPTION: ICA.150 (45°) + SD.054	

PRODUCT SHEET	SHEET N°	ISSUE	Scale: 1/5
	HV-I-1.0220	V.02	Orig. format: A4