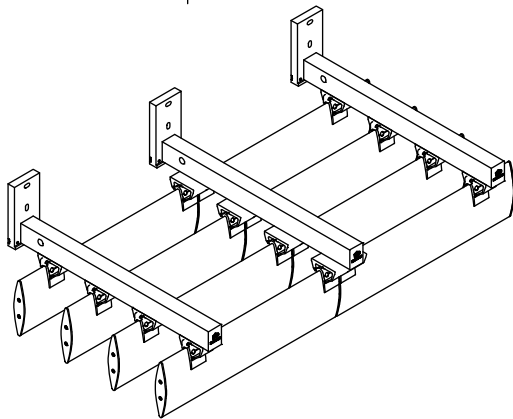


FRONT VIEW



KEY REFERENCE	
L:	Length of blade [mm]
d:	Expansion joint [mm] = 0,001 x L
s:	Step of blade [mm]
a:	Min. sun entrance angle [°]
U:	Projection [mm]
y:	≥ 80 mm
n:	Number of blades
P:	Thickness wallbracket [mm]

Maximal dimensions to be discussed with R&D Dept. of NV Renson Projects.



NV RENSON Projects
Maalbeekstraat 6
8790 Waregem
Belgium

Tel.: +32 (0)56 62 71 07
Fax: +32 (0)56 62 71 47
www.renson.eu

HORIZONTAL FIXED

TYPE: ICARUS

SUBTYPE: QUICKFIX

DESCRIPTION: ICA.150 (90°) + SD.054

PRODUCT SHEET

SHEET N°

HV-I-1.0223

ISSUE

V.02

Scale:
1/5

Orig. format:
A4