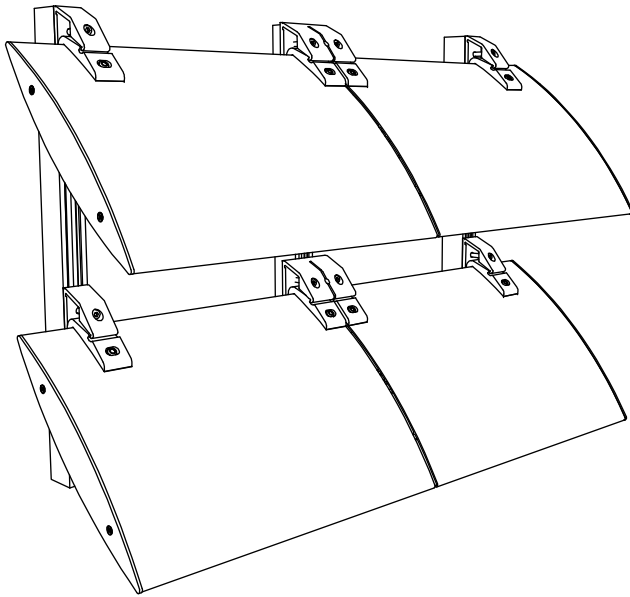


ICA.400.11

TOP VIEW



KEY REFERENCE	
L:	Length of blade [mm]
d:	Expansion joint [mm] = 0,001 x L
s:	Step of blade [mm]
a:	Min. sun entrance angle [°]

Maximal dimensions to be discussed with R&D Dept. of NV Renson Projects.


**RENSON**  
 Creating healthy spaces

NV RENSON Projects  
 Maalbeekstraat 6  
 8790 Waregem  
 Belgium

Tel.: +32 (0)56 62 71 07  
 Fax: +32 (0)56 62 71 47  
 www.renson.eu

<u>VERTICAL FIXED</u>	
TYPE: ICARUS	SUBTYPE: QUICKFIX
DESCRIPTION: ICA.400 (45°) + SD.054	

PRODUCT SHEET	SHEET N°	ISSUE	Scale: 1/5
	VV-I-1.0705	V.01	Orig. format: A4

All rights reserved to NV RENSON PROJECTS. This drawing shall not be copied nor showed to third parties without written permission of NV RENSON PROJECTS.

R:\CAD\91\_ProductFiches\VV\VV\VV\_1\_1\_0705-EN.idw