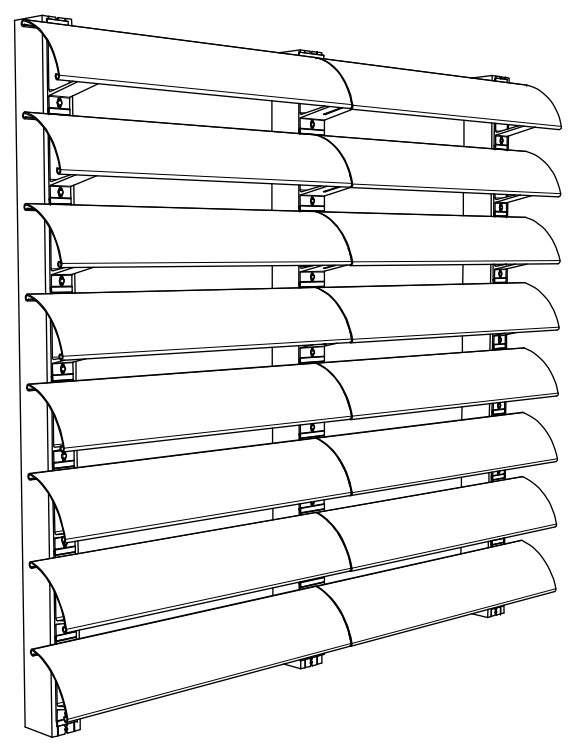


TOP VIEW

A-A



KEY REFERENCE	
L:	Length of blade [mm]
d:	Expansion joint [mm] = 0,001 x L
s:	Step of blade [mm]
a:	Min. sun entrance angle [°]

Maximal dimensions to be discussed with R&D Dept. of NV Renson Projects.


RENSON
 Creating healthy spaces

NV RENSON Projects
 Maalbeekstraat 6
 8790 Waregem
 Belgium

Tel.: +32 (0)56 62 71 07
 Fax: +32 (0)56 62 71 47
 www.renson.eu

VERTICAL FIXED	
TYPE: SUNCLIPS	SUBTYPE: C.L.S.
DESCRIPTION: SE.096.01 + SD.054	

PRODUCT SHEET	SHEET N°	ISSUE	Scale: 1/4
	VV-S-1.0202	V.01	Orig. format: A4

All rights reserved to NV RENSON PROJECTS. This drawing shall not be copied nor showed to third parties without written permission of NV RENSON PROJECTS.

R:\CAD\91_ProductFiches\VV\VV\S\VV_S_1_0202-EN\dw